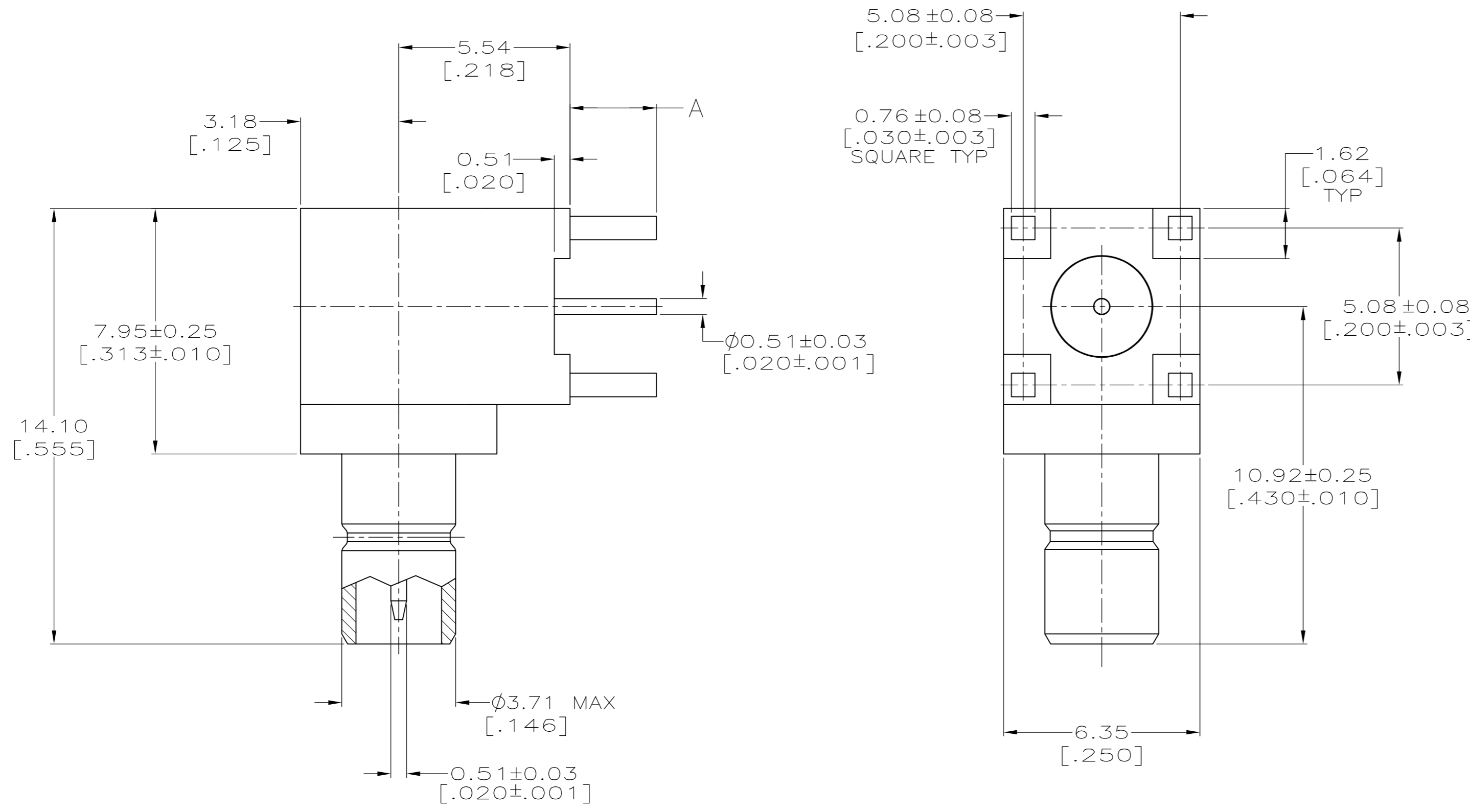
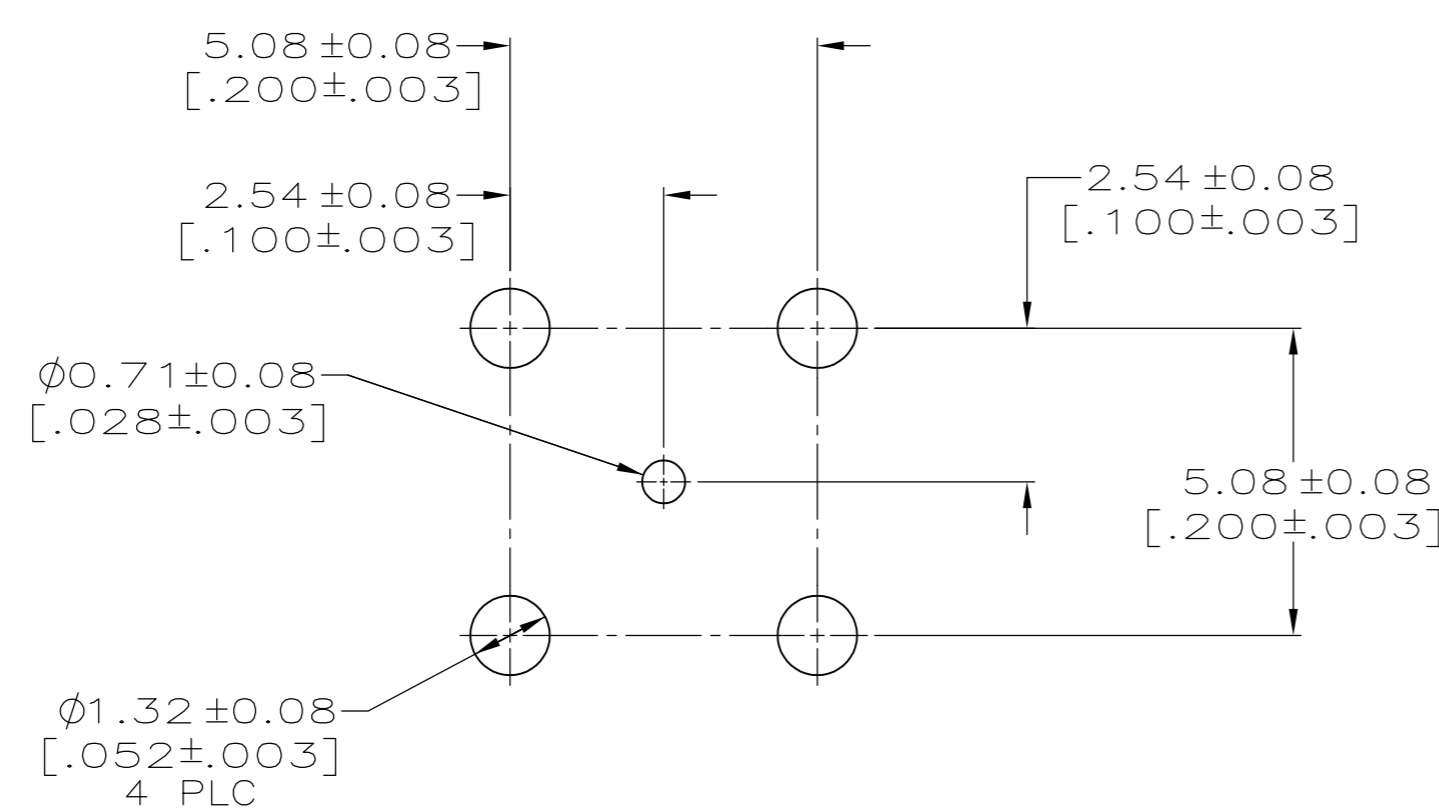


THIS DRAWING IS UNPUBLISHED. RELEASED FOR PUBLICATION  
 © COPYRIGHT - By - ALL RIGHTS RESERVED.

LOC	DIST	REVISIONS					
		P	LTR	DESCRIPTION	DATE	DWN	APVD
AJ	16	A		ECR-12-005726	27MAR12	RK	MY



- 1 MATERIALS:  
 LEG BODY: BRASS PER QQ-B-626.  
 FRONT BODY: BRASS PER QQ-B-626.  
 CONTACT: BRASS PER QQ-B-626.  
 DIELECTRICS: PTFE PER ASTM-D-1710.
- 2 FINISHES:  
 CONTACT: GOLD PER MIL-G-45204.  
 LEG BODY: NICKEL PER QQ-N-290.  
 FRONT BODY: GOLD PER MIL-G-45204.
- 3 FINISHES:  
 CONTACT: GOLD PER MIL-G-45204.  
 LEG BODY: NICKEL PER QQ-N-290.  
 FRONT BODY: NICKEL PER QQ-N-290.



RECOMMENDED PCB CPNFIGURATION

2.11 [.083]	3	415490-4
2.11 [.083]	2	415490-3
2.79 [.110]	3	415490-2
2.79 [.110]	2	415490-1
A	FINISH	PART NUMBER

THIS DRAWING IS A CONTROLLED DOCUMENT.		DWN	B. MOYER	22APR96	<b>STE</b> TE Connectivity																		
DIMENSIONS: mm [INCHES]		CHK	G. MICHAEL	21JUN96																			
TOLERANCES UNLESS OTHERWISE SPECIFIED:		APVD	G. MICHAEL	21JUN96																			
<table border="1"> <tr><td>0 PLC</td><td>±</td><td>-</td></tr> <tr><td>1 PLC</td><td>±</td><td>-</td></tr> <tr><td>2 PLC</td><td>±</td><td>0.13 [.005]</td></tr> <tr><td>3 PLC</td><td>±</td><td>-</td></tr> <tr><td>4 PLC</td><td>±</td><td>-</td></tr> <tr><td>ANGLES</td><td>±</td><td>-</td></tr> </table>		0 PLC	±	-		1 PLC	±	-	2 PLC	±	0.13 [.005]	3 PLC	±	-	4 PLC	±	-	ANGLES	±	-	PRODUCT SPEC	-	NAME
0 PLC	±	-																					
1 PLC	±	-																					
2 PLC	±	0.13 [.005]																					
3 PLC	±	-																					
4 PLC	±	-																					
ANGLES	±	-																					
MATERIAL	1	WEIGHT	-	SIZE	A2																		
FINISH	2,3	CUSTOMER DRAWING	SCALE	CAGE CODE	00779																		
			DRAWING NO	C=415490	RESTRICTED TO																		
			SHEET	1 OF 1	REV																		
			SCALE	8:1	A																		